

LED Flood Lighting

SUMA Series

GigaTera®
beyond light



SMA600 / SMA400

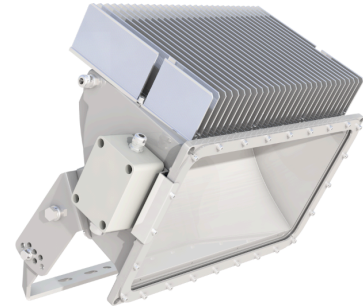
Product Description

- Can send uniform light distribution even at long distance
- High luminous efficacy
- Tilting structure for optimized aiming (Upward : 10°, Downward : 20°)
- Dimming control using wireless and wired communication
- Outstanding cooling technology and durability

Application

- Sporting Facilities
- Airplane Hangars
- Airport Aprons
- Parking Lots
- Harbour
- Yard

Certification



[SMA600, Wired type]

SUMA Series Specifications

Model Name	SMA600			SMA400			
Power Consumption	600W			400W			
Driver Type	Remote	Built-in		Remote	Built-in		
CCT	5000K (4000K / 3000K available)						
Luminous Flux *	72,000 lm			48,000 lm			
Luminous Efficacy *	120 lm/W						
CRI	70 Ra						
LED Driving Current	750 mA			320 mA			
Light Distribution	Asymmetric Wide						
Input Voltage	200 ~ 277 Vac / 347 ~ 480 Vac						
Input Current	Max. 3.5 A(@200Vac)			Max. 2.5 A(@200Vac)			
	Max. 2.2 A(@347Vac)			Max. 1.6 A(@347Vac)			
Power Factor	≥0.9 at Max load						
Frequency	50 / 60 Hz						
Surge Protection	Line – Line 20kV, Line – FG 20kV						
Driver Type	Constant Current (CC)						
Fixture Manufacturer	GigaTera Inc. / Made in Korea						
Size	Control Type	Wired	Wireless	NEMA-7	Wired	Wireless	NEMA-7
	mm	517 x 429 x 375	517 x 439 x 375	517 x 433 x 375	517 x 381 x 371	517 x 442 x 371	517 x 436 x 371
	inch	20.4 x 16.9 x 14.8	20.4 x 17.3 x 14.8	20.4 x 17.0 x 14.8	20.4 x 15.0 x 14.6	20.4 x 17.4 x 14.6	20.4 x 17.2 x 14.6
Weight	13.5 kg / 29.8 lb		19.3 kg / 42.5 lb		12.5 kg / 27.6 lb		18.6 kg / 41.0 lb
Material	Body	Cast Aluminum					
	Optic	AL Coating Reflector					
	Cover	Tempered Glass 4.0T (Clear)					
Finish	Powder Coating						
IP Rating	IP66						
Effective Projected Area	Front (ft² / m²)	1.320 / 0.123		-	1.300 / 0.120		-
	Side (ft² / m²)	0.665 / 0.062		-	0.655 / 0.060		-
Operating Temperature	-22°F ~ 131°F / -30°C ~ 55°C						
Option	Control	Wired (RS-485, DMX512)	Wireless, NEMA-7		Wired (RS-485, DMX512)	Wireless, NEMA-7	
	Mounting	Swivel Bracket					
Warranty	5 Years (12 hours usage per day)						

* Tolerance : ± 5%

Copyright © 2017 GigaTera Inc. All rights reserved. / www.gigateraled.com
The information in this document is subject to change without notice. / Document Revision V2.26 / 2019.07.01
GigaTera Inc. Address : 3, Dongtansandan 6-gil, Dongtan-myeon, Hwaseong-si, Gyeonggi-do, South Korea
Tel : +82.31.370.8800 / E-Mail : ledsales@gigateraled.com


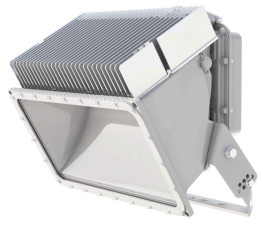
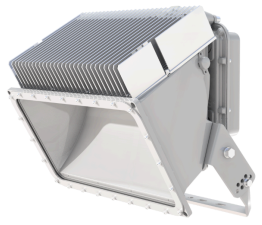
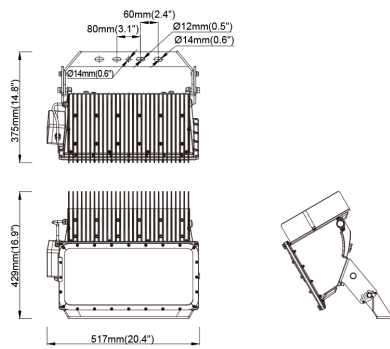
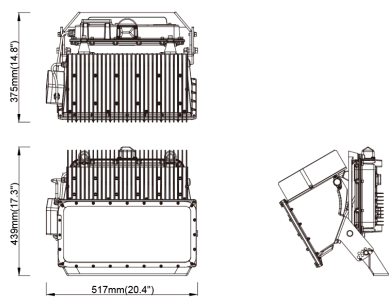
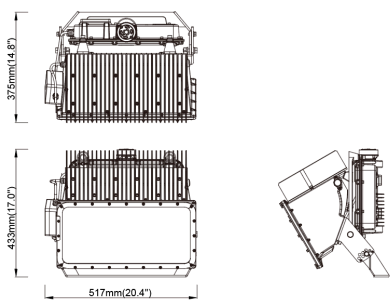
LED Flood Lighting

SUMA Series


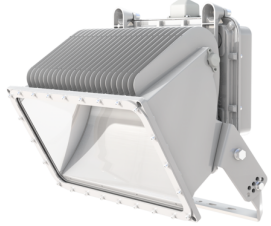

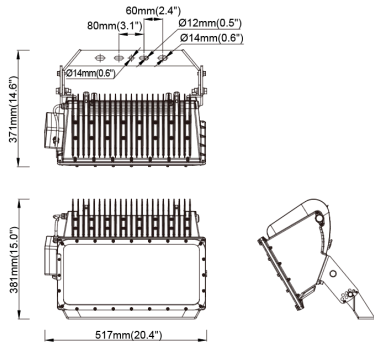
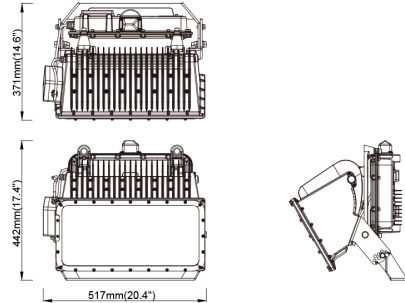
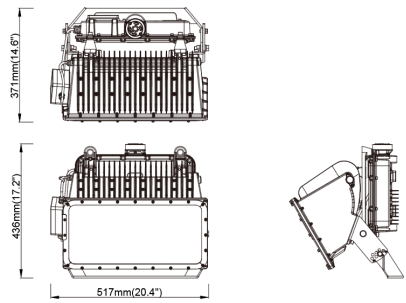
GigaTera[®]
beyond light

SMA600 / SMA400

SUMA 600W

Wired / Remote type		Wireless / Built-in type		NEMA-7 / Built-in type	
					
					
Size	517 x 429 x 375 (mm) 20.4 x 16.9 x 14.8 (inch)	Size	517 x 439 x 375 (mm) 20.4 x 17.3 x 14.8 (inch)	Size	517 x 433 x 375 (mm) 20.4 x 17.0 x 14.8 (inch)

SUMA 400W

Wired / Remote type		Wireless / Built-in type		NEMA-7 / Built-in type	
					
					
Size	517 x 381 x 371 (mm) 20.4 x 15.0 x 14.6 (inch)	Size	517 x 442 x 371 (mm) 20.4 x 17.4 x 14.6 (inch)	Size	517 x 436 x 371 (mm) 20.4 x 17.2 x 14.6 (inch)

Copyright © 2017 GigaTera Inc. All rights reserved. / www.gigateraled.com
The information in this document is subject to change without notice. / Document Revision V2.26 / 2019.07.01
GigaTera Inc. Address : 3, Dongtansandan 6-gil, Dongtan-myeon, Hwaseong-si, Gyeonggi-do, South Korea
Tel : +82.31.370.8800 / E-Mail : ledsales@gigateraled.com

LED Flood Lighting

SUMA Series

SMA600 / SMA400

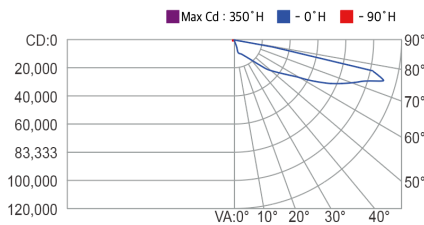
Remote Driver Specifications



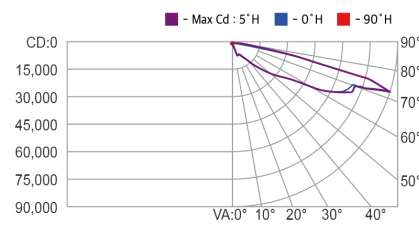
Model Name	RED1K2	
Power Consumption	1.3kW	
Input Voltage	200 ~ 277 Vac	347 ~ 480 Vac
Input Current	Max. 7.6A (@200 Vac)	Max. 5.0A (@347 Vac)
Surge Protection	Line – Line 20kV, Line – FG 20kV	
Driver Manufacturer	GigaTera Inc.	
Size	7.15 x 5.95 x 18.5 (inch) / 181.7 x 151.2 x 470.0 (mm)	
Weight	28.7 lb / 13.0 kg	

Photometry Data

SMA600 / 5000K



SMA400 / 5000K



Control System (Optional)


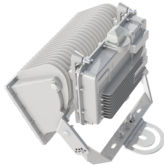

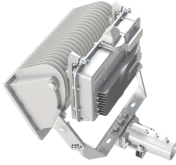
Wireless Control	ZigBee	
Input Voltage	15 Vdc	
Max. Power Consumption	0.3W (@15 Vdc)	
Standard	2.4 GHz – IEEE 802.15.4 (Compatible)	
Network	Mesh	
RF Tx Power	Max. +8 dBm (Typ. 5 dBm)	
Data Rate	250 kbps	
Security	128 bit AES Encryption Algorithms	
Antenna	Omni Type, 2 dBi	
NEMA-7		
Mechanical	7 Position : 3 Power Contacts + 4 dimming/Signal Contacts	
Electrical	Power Contacts. 15A, Max.480Vac/dc	
	Dimming Contacts. 0.10A, Max.10Vac/dc	
Model Name	TE, 2213362-4(ANSI C136.41-2013 Dimming Receptacle)	
	te.com	
Wired Control	RS-485	DMX-512
Input Voltage	15 Vdc	
Max. Power Consumption	0.2W (@15 Vdc)	
Communication Method	RS-485	DMX-512
Data Rate	115,200 bps, 8-N-1	250,000 bps, 8-N-2

LED Flood Lighting

SUMA Series

SMA600 / SMA400

Mount Bracket Installation Reference (Optional)

KETBKTLC1ZNN001		KETBKTLC3BG1012	
	Assembly Image 		Assembly Image 

Ordering Information

Ordering Code Usage : SMA400-V50WG1

SMA	000	-	O	OO	O	O
	Power Consumption		Input Voltage	CCT (K)	Control System	Fixture Color
	(Built-in Driver type) 600 = 600W 400 = 400W		H = 200 ~ 277Vac C = 347 ~ 480Vac	50 = 5000K 40 = 4000K 30 = 3000K	Z = ZigBee G = NEMA-7	G1 = Gray Powder
	(Remote Driver type) 600 = 600W 400 = 400W		V = 100Vdc	W = Wired(RS-485) M = Wired(DMX-512)		

※ For Remote Driver type

Ordering Information

Ordering Code Usage : RED1K2-HVW

RED	000	-	O	O	O
	Power Consumption		Input Voltage	Output Voltage	Control System
	1K2 = 1,200W		K = 200 ~ 240Vac H = 200 ~ 277Vac C = 347 ~ 480Vac	V = 100Vdc	W = Wired(RS-485) M = Wired(DMX-512)